

Dell™ PowerEdge™  
R300 Systems

# Getting Started With Your System

系统使用入门

はじめに

시스템 시작하기





Dell™ PowerEdge™  
R300 Systems

# Getting Started With Your System



# Notes, Notices, and Cautions



**NOTE:** A NOTE indicates important information that helps you make better use of your computer.



**NOTICE:** A NOTICE indicates either potential damage to hardware or loss of data and tells you how to avoid the problem.



**CAUTION:** A CAUTION indicates a potential for property damage, personal injury, or death.

---

**Information in this document is subject to change without notice.**

© 2007 Dell Inc. All rights reserved.

Reproduction in any manner whatsoever without the written permission of Dell Inc. is strictly forbidden.

Trademarks used in this text: *Dell*, the *DELL* logo, and *PowerEdge* are trademarks of Dell Inc.; *Intel*, *Pentium*, *Celeron* and *Xeon* are registered trademarks and *Core* is a trademark of Intel Corporation in the U.S. and other countries; *Microsoft*, *Windows*, and *Windows Server* are either trademarks or registered trademarks of Microsoft Corporation in the United States and/or other countries; *Red Hat* and *Enterprise Linux* are registered trademarks of Red Hat Inc.; SUSE is a registered trademark of Novell Inc..

Other trademarks and trade names may be used in this document to refer to either the entities claiming the marks and names or their products. Dell Inc. disclaims any proprietary interest in trademarks and trade names other than its own.

Model SMT

December 2007

P/N MM428

Rev. A00

# System Features

The major hardware and software features of your system include:

- 1U/1S rack-mountable chassis with support for static rails and sliding rails.
  - ▣ **NOTE:** Use the System Setup program to view processor information. See "Using the System Setup Program" in your *Hardware Owner's Manual*.
- One of the following processors:
  - Single Core Intel® Celeron® 445 Processor
  - Dual-Core Intel Core™ 2 Duo E6305 or E6405 Processor
  - Quad-Core Intel Xeon® X3323, X3353, or X3363 Processor
- A minimum of 512-MB single or dual-ranked registered 667-MHz DDR2 memory modules with ECC, upgradeable to a maximum of 24-GB by installing combinations of 512-MB, 1-GB, 2-GB, or 4-GB memory modules in six memory module sockets on the system board.
- One of the following riser card options:
  - Two riser cards (left and center risers), each providing a x8 lane width PCI-Express expansion slot.
  - OR
  - One riser card (center riser), providing a x8 lane width PCI-Express expansion slot.
  - One riser card (left riser) providing a 3.3 V, 64-bit 133MHz PCI-X expansion slot.
- One 12.7 mm DVD, or combination CD-RW/DVD in a device drive bay.
- Support for the following internal hard-drive configurations:
  - Up to two 3.5-inch, internal, SATA hard drives with the optional SAS controller card (hot-plug option available).
  - Up to two 3.5-inch, internal, Serial-Attached SCSI (SAS) hard drives with an optional SAS controller card (hot-plug option available).

- Optional remote access controller for remote systems management, which is installed on the dedicated slot on the system board.
- Optional USB flash drive emulates a diskette drive or hard drive.
- One 400-W power supply (optional redundant power supply available).
- Two integrated Gigabit Ethernet network adapters, capable of supporting 10-Mbps, 100-Mbps, and 1000-Mbps data rates with support for Wake-on-LAN.
- A Dell Remote Access Controller Card (DRAC5), which provides remote system management, crashed system recovery, and power control functions for Dell PowerEdge.
- An integrated VGA-compatible video subsystem with an ATI ES1000, 33-MHz PCI video controller. This video subsystem contains a minimum of 32MB of graphics memory with support for 2D graphics. Maximum resolution is 1600 x 1200 with 65,536 colors; true-color graphics are supported in the following resolutions: 640 x 480, 800 x 600, 1024 x 768, 1280 x 1024. When the optional remote access card is installed, the maximum video resolution is 1280 x 1024.
- Fan modules, each of which is comprised of two dual-rotor fans positioned in front of the processor and memory.
- Fan modules, comprised of two dual-rotor fans positioned in front of the PSU. These fans are used for the two redundant PSUs (hot-plug hard drives and redundant PSU configuration).
- Serial connector for console redirection support.
- Security features, including chassis-intrusion detection and keylock on the optional bezel.
- An integrated Trusted Platform Module (TPM) version 1.2 used for security applications, capable of generating and storing keys, and storing passwords and digital certifications. (Not available in China.)

- Systems management software/circuitry that monitors critical system voltages and temperatures.
- Back-panel connectors include video, serial, two USB, and two network adapter connectors.
- Front-panel connectors include one VGA and two USB connectors.
- One internal USB connector is included for a bootable memory key.
- Front-panel 1x5 LCD for system ID and error messaging.

For more information about specific features, see “Technical Specifications” on page 11.

The following software is included with your system:

- A System Setup program for viewing and changing system configuration information. For more information, see “Using the System Setup Program” in the *Hardware Owner’s Manual*.
- Enhanced security features, including a system and setup passwords are available through the System Setup program.
- Video drivers for displaying programs in high-resolution modes.

Systems management software and documentation CDs.

## Supported Operating Systems

- Microsoft® Windows Server® 2008 Web, Standard, and Enterprise (32-bit x86) Editions (*when available*)
- Microsoft Windows Server 2008 Web, Standard, Small Business Server (Premium and Standard), and Enterprise (x64) Editions (*when available*)
- Microsoft Windows Server 2003 Web, Standard, Small Business Server (Premium and Standard), and Enterprise (32-bit x86) Editions (SP1 and SP2)
- Microsoft Windows Server 2003 Standard and Enterprise (x64) Editions
- Microsoft Windows Server 2003 R2 Standard, Small Business Server (Premium and Standard), and Enterprise (32-bit x86) Editions

- Microsoft Windows Server 2003 R2 Standard and Enterprise (x64) Editions
- Red Hat® Enterprise Linux® ES (versions 4 and 5) (x86\_32)
- Red Hat Enterprise Linux ES (versions 4 and 5) (x86\_64)
- SUSE® Linux Enterprise Server 9 (SP4 or later) (x86\_64)
- SUSE Linux Enterprise Server 10 (x86\_64)



**NOTE:** For the latest information on supported operating systems, see [www.dell.com](http://www.dell.com).

## Other Information You May Need



**CAUTION:** The *Product Information Guide* provides important safety and regulatory information. Warranty information may be included within this document or as a separate document.

- The *Rack Installation Guide* or *Rack Installation Instructions* included with your rack solution describes how to install your system into a rack.
- The *Getting Started Guide* provides an overview of system features, setting up your system, and technical specifications.
- The *Hardware Owner's Manual* provides information about system features and describes how to troubleshoot the system and install or replace system components.
- CDs included with your system provide documentation and tools for configuring and managing your system.
- Systems management software documentation describes the features, requirements, installation, and basic operation of the software.
- Operating system documentation describes how to install (if necessary), configure, and use the operating system software.
- Documentation for any components you purchased separately provides information to configure and install these options.



- Updates are sometimes included with the system to describe changes to the system, software, and/or documentation.
  - ✍ **NOTE:** Always check for updates on [support.dell.com](http://support.dell.com) and read the updates first because they often supersede information in other documents.
- Release notes or readme files may be included to provide last-minute updates to the system or documentation or advanced technical reference material intended for experienced users or technicians.


## Obtaining Technical Assistance

If you do not understand a procedure in this guide or if the system does not perform as expected, see your *Hardware Owner's Manual*.

Dell Enterprise Training and Certification is available; see [www.dell.com/training](http://www.dell.com/training) for more information. This service may not be offered in all locations.

## Installation and Configuration

 **CAUTION:** Before performing the following procedure, read and follow the safety instructions and important regulatory information in your *Product Information Guide*.

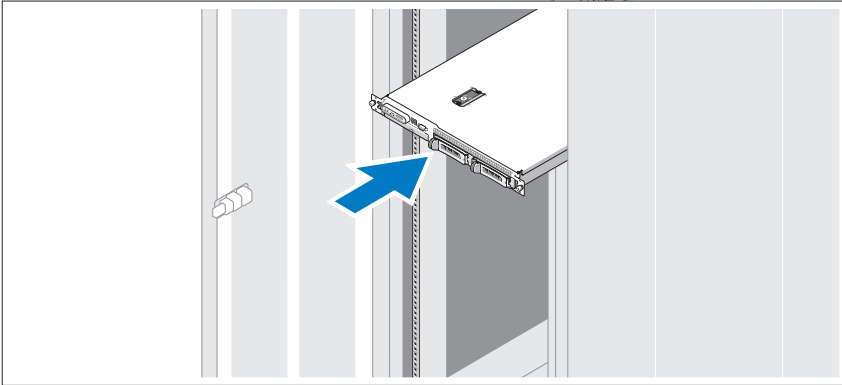
 **CAUTION:** Whenever you need to lift the system, get others to assist you. To avoid injury, do not attempt to lift the system by yourself.

This section describes the steps to set up your system for the first time.

### Unpacking the System

Unpack your system and identify each item. Keep all shipping materials in case you need them later.

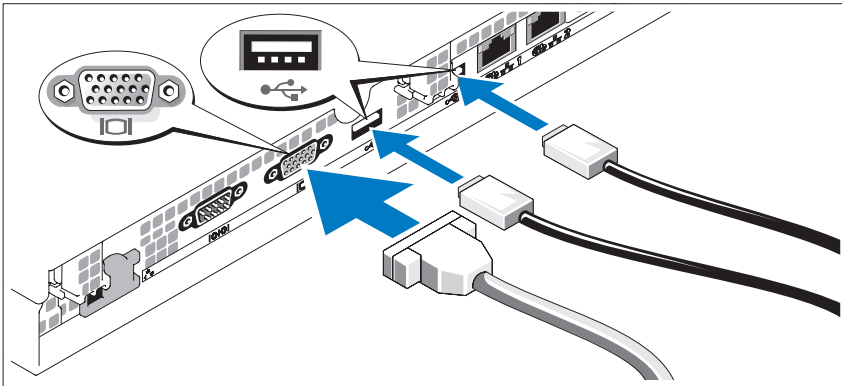
## Installing the Rail and System in a Rack



Install the system in the rack once you have read the “Safety Instructions” located in the rack installation documentation for your system.

See your rack installation documentation for instructions on installing your system in a rack. For power and cooling guidelines, see the rack capacity planner tool on [www.dell.com](http://www.dell.com).

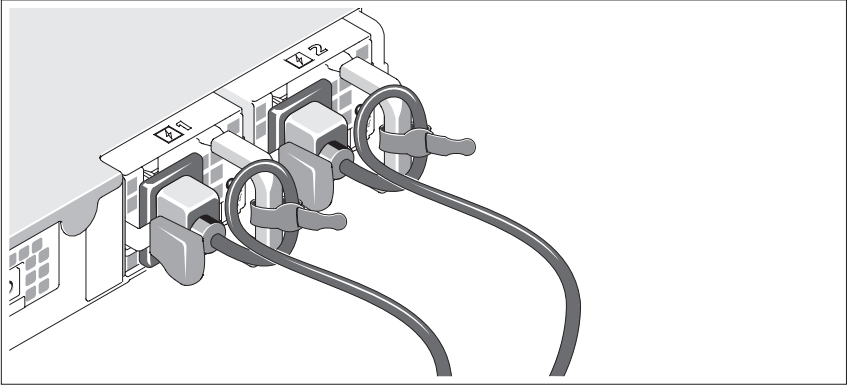
## Connecting the Keyboard, Mouse, and Monitor



Connect the keyboard, mouse, and monitor (optional).

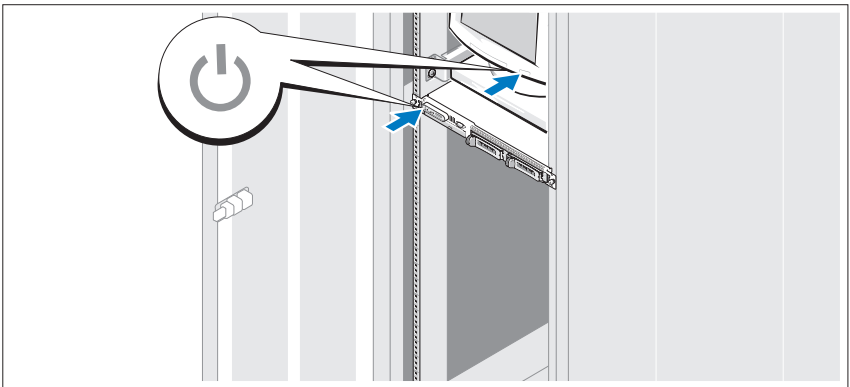
The connectors on the back of your system have icons indicating which cable to plug into each connector. Be sure to tighten the screws (if any) on the monitor's cable connector.

## Connecting the Power



Connect the system's power cable(s) to the system (a redundant system is shown in the illustration). For redundant systems, secure the cables with the two Velcro straps that ship with your system, as shown. For non-redundant systems, attach the power cord retention bracket that ships with your system. Plug the other end of the cable into a grounded electrical outlet or a separate power source such as an uninterruptible power supply (UPS) or a power distribution unit (PDU).

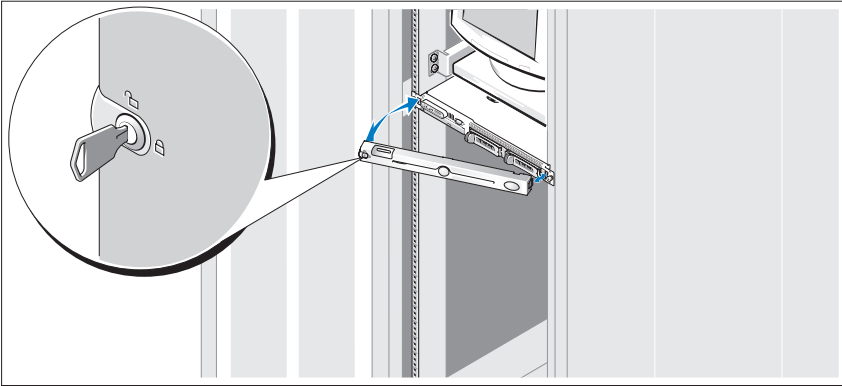
## Turning on the System



Turn on the system and monitor (optional).

Press the power button on the system and the monitor. The power indicators should light. Adjust the monitor's controls until the displayed image is satisfactory.

### **Installing the Bezel**



Install the bezel (optional).

## **Complete the Operating System Setup**

If you purchased a preinstalled operating system, see the operating system documentation that ships with your system. To install an operating system for the first time, see the *Quick Installation Guide*. Be sure the operating system is installed before installing hardware or software not purchased with the system.

# Technical Specifications

---

## Processor

---

Processor type	Single Core Intel® Celeron® 445 processor or Dual-Core Intel Core™ 2 Duo E6305 or E6405 sequence processor or Quad-Core Intel Xeon® X3323, X3353, or X3363 serial processor
----------------	---

---

## Expansion Buses

---

Bus type	PCI-X, PCIe
<b>Expansion slots – Two optional riser cards</b>	
Riser 1	
PCIe Center Riser	One full-height, half-length, x8 lane PCIe slot
PCIe Left Riser	One full-height, half-length, x8 lane PCIe slot
Riser 2	
PCI-X Left Riser	One full-height, half-length, 64-bit, 133MHz PCI-X slot
PCIe Center Riser	One full-height, half-length, x8 lane PCIe slot

---

## Memory

---

Architecture	Up to six registered DDR2 677 MHz RDRAM memory modules with ECC
Memory module sockets	Six 240-pin
Memory module capacities	512 MB, 1 GB, 2 GB, 4GB
Minimum RAM	512 MB (one 512-MB module)
Maximum RAM	24 GB

---

## Drives

---

### Hard Drives

SATA	Up to two 3.5-inch, internal (optional for hot-plug)
SAS	Up to two 3.5-inch, internal with optional SAS controller card (optional for hot-plug)
CD/DVD drive	One optional DVD, or combination CD-RW/DVD in a device drive bay <b>NOTE:</b> DVD devices are data only.
USB flash drive	One optional drive that emulates a diskette drive or hard drive

---

## Connectors

---

### Externally accessible

#### Back

Network adapter	Two RJ-45 (for integrated 1-Gigabit network adapters)
Serial	9 pin
USB	Two 4-pin, USB 2.0 compliant
Video	15-pin VGA

#### Front

Video	15-pin VGA
USB	Two 4-pin, USB 2.0 compliant

### Internally accessible

SATA channels	Three 7-pin
USB key (for memory key)	one 4-pin, USB 2.0-compliant

---

**Video**

---

Video type	Integrated ATI ES1000 VGA controller
Video memory	32 MB (Min)-64 MB (Max) DDR II

---

**Power**

---

**AC power supply**

Wattage	400 W redundant PSU for hot-plug hard drives plus redundant PSU configuration (maximum configuration)
Voltage	100–240 VAC, 50/60 Hz
Maximum inrush current	Under typical line conditions and over the entire system ambient operating range, the inrush current may reach 25 A for 10 ms or less
System battery	CR 2032 3.0-V lithium coin cell

---

**Physical**

---

Height	4.2 cm (1.67 in)
Width	42.6 cm (16.78 in)

**Depth**

With optional bezel	69.3 cm (27.29 in)
Without optional bezel	66 cm (26 in)
Weight (maximum configuration Kg)	13.45 kg (29.6 lb)

---

## Environmental

---

**NOTE:** For additional information about environmental measurements for specific system configurations, see [www.dell.com/environmental\\_datasheets](http://www.dell.com/environmental_datasheets).

### Temperature

Operating	10° to 35°C (50° to 95°F)
Storage	-40° to 65°C (-40° to 149°F)

### Relative humidity

Operating	20% to 80% (noncondensing) with a maximum humidity gradation of 10% per hour
Storage	5% to 95% (noncondensing)

### Maximum vibration

Operating	0.26 Grms at 5–350 Hz for 15 min
Storage	1.54 Grms at 10–250 Hz for 15 min

### Maximum shock

Operating	One shock pulse in the positive z axis (one pulse on each side of the system) of 31 G for up to 2.6 ms
Storage	Six consecutively executed shock pulses in the positive and negative x, y, and z axes (one pulse on each side of the system) of 71 G for up to 2 ms

### Altitude

Operating	-16 to 3,048 m (-50 to 10,000 ft) <b>NOTE:</b> For altitudes above 2,950 feet, the maximum operating temperature is derated 1°F/550 ft.
Storage	-16 to 10,600 m (-50 to 35,000 ft)

### Airborne Contaminant Level

Class	G2 or lower as defined by ISA-S71.04-1985
-------	---



Dell™ PowerEdge™

R300 系统

系统 使用入门



# 注、注意和警告



**注** “注”表示可以帮助您更好地使用计算机的重要信息。



**注意** “注意”表示可能会损坏硬件或导致数据丢失、并告诉您如何避免此类问题。



**警告** “警告”表示可能会导致财产损失、人身伤害甚至死亡。

---

本说明文件中的信息如有更改、恕不另行通知。

© 2007 Dell Inc. 版权所有、翻印必究。

未经 Dell Inc. 书面许可、严禁以任何形式进行复制。

本文中使用的商标：*Dell*、*DELL* 徽标和 *PowerEdge* 是 Dell Inc. 的商标；*Intel*、*Pentium*、*Celeron*、*Xeon* 和 *Core* 是 Intel Corporation 在美国和 / 或其它国家 / 地区的注册商标和商标；*Microsoft*、*Windows* 和 *Windows Server* 是 Microsoft Corporation 在美国和 / 或其它国家 / 地区的注册商标；*Red Hat* 和 *Enterprise Linux* 是 Red Hat Inc. 的注册商标；*SUSE* 是 Novell Inc. 的注册商标。

本说明文件中提及的其它商标和产品名称是指拥有相应商标和产品名称的公司或其制造的产品。Dell Inc. 对本公司的商标和产品名称之外的其它商标和产品名称不拥有任何专有权。

型号 SMT

2007 年 12 月

P/N MM428

Rev. A00

# 系统功能

系统的主要硬件和软件配置包括：

- 1U/1S 机架可固定机箱、支持静态滑轨和滑动滑轨。
  - **注：**使用系统设置程序可以查看处理器信息。请参阅硬件用户手册中的“使用系统设置程序”。
- 以下处理器之一：
  - 单核 Intel® Celeron® 445 处理器
  - 双核 Intel Core™ 2 Duo E6305 或 E6405 处理器
  - 四核 Intel Xeon® X3323、X3353 或 X3363 处理器
- 最小 512 MB 的单列或双列带寄存器的 667 MHz DDR2 内存模块（具有 ECC）、可通过在系统板上的 6 个内存模块插槽中组合安装 512 MB、1 GB、2 GB 或 4 GB 内存模块、将内存最大升级至 24 GB。
- 以下提升卡选件之一：
  - 两个提升卡（左提升板和中央提升板）、每个提供一个 x8 信道宽度的 PCI Express 扩充槽。
  - 或
  - 一个提升卡（中央提升板）、提供一个 x8 信道宽度的 PCI Express 扩充槽。
  - 一个提升卡（左提升板）、提供一个 3.3 V、64 位 133MHz PCI-X 扩充槽。
- 一个 12.7 mm DVD、或设备驱动器托架中的组合 CD-RW/DVD。
- 支持以下内部硬盘驱动器配置：
  - 最多两个 3.5 英寸、内部 SATA 硬盘驱动器、带可选 SAS 控制器卡（可热插拔）。
  - 最多两个 3.5 英寸、内部 Serial-Attached 硬盘驱动器、带可选 SCSI 控制器卡（可热插拔）。
- 可选远程访问控制器、用于远程系统管理、安装在系统板的专用插槽上。
- 可选 USB 闪存盘模拟软盘驱动器或硬盘驱动器。
- 一个 400 W 电源设备（备有可选的冗余电源设备）。

- 两个集成吉位以太网网络适配器、可支持 10 Mbps、100 Mbps 和 1000 Mbps 数据速率、支持通过 LAN 唤醒。
- 一个 Dell 远程访问控制器卡 (DRAC5)、可为 Dell PowerEdge 提供远程系统管理、崩溃系统恢复和电源控制功能。
- VGA 兼容集成视频子系统、带有 ATI ES1000、33 MHz PCI 视频控制器。此视频子系统包含一个最小 32MB 的图形内存、支持二维图形。最大分辨率是 1600 x 1200 (65,536 色)；以下分辨率支持真彩色图形：640 x 480、800 x 600、1024 x 768、1280 x 1024。安装了可选远程访问卡时、最大视频分辨率为 1280 x 1024。
- 风扇模块、每个模块由两个双转子风扇组成、位于处理器和内存前面。
- 风扇模块、由两个双转子风扇组成、位于 PSU 前面。这些风扇用于两个冗余 PSU (热插拔硬盘驱动器和冗余 PSU 配置)。
- 支持控制台重定向的串行连接器。
- 安全保护功能部件、包括机箱防盗检测功能和可选挡板上的键锁。
- 一个集成的受信任的平台模块 (TPM) (1.2 版)、用作安全应用程序、可生成并存储密钥以及存储密码和数字证书 (中国不可用)。
- 系统管理软件 / 电路、用于监测系统临界电压和温度。
- 背面板连接器包括视频、串行、两个 USB 和两个网络适配器连接器。
- 前面板连接器包括一个 VGA 连接器和两个 USB 连接器。
- 一个内部 USB 连接器、用于可引导存储钥匙。
- 前面板 1x5 LCD 显示屏、用于显示系统 ID 和错误信息。

有关特定配置的详细信息、请参阅第 23 页上的“技术规格”。


您的系统附带以下软件：

- 系统设置程序、用于查看和更改系统配置信息。有关详情、请参阅硬件用户手册中的“使用系统设置程序”。
- 增强的安全保护功能、包括系统密码和设置密码、可通过系统设置程序进行设置。
- 视频驱动程序、用于在高分辨率模式下显示程序。


系统管理软件和说明文件 CD。

## 支持的操作系统

- Microsoft® Windows Server® 2008 Web、Standard 和 Enterprise (32 位 x86) Edition (如果可用)
- Microsoft Windows Server 2008 Web、Standard、Small Business Server (Premium 和 Standard) 和 Enterprise (x64) Edition (如果可用)
- Microsoft Windows Server 2003 Web、Standard、Small Business Server (Premium 和 Standard) 和 Enterprise (32 位 x86) Edition (SP1 和 SP2)
- Microsoft Windows Server 2003 Standard 和 Enterprise (x64) Edition
- Microsoft Windows Server 2003 R2 Standard、Small Business Server (Premium 和 Standard) 和 Enterprise (32 位 x86) Edition
- Microsoft Windows Server 2003 R2 Standard 和 Enterprise (x64) Edition
- Red Hat® Enterprise Linux® ES (版本 4 和 5) (x86\_32)
- Red Hat Enterprise Linux ES (版本 4 和 5) (x86\_64)
- SUSE® Linux Enterprise Server 9 (SP4 或更高版本) (x86\_64)
- SUSE Linux Enterprise Server 10 (x86\_64)

 **注：**有关支持的操作系统的最新信息、请访问 [www.dell.com](http://www.dell.com)。

## 可能需要的其它信息

 **警告：**产品信息指南提供了重要的安全信息和管制信息。保修信息可能包括在该说明文件中，也可能作为单独的说明文件提供。

- 您的机架解决方案附带的机架安装指南或机架安装说明介绍了如何将系统安装到机架中。
- 使用入门指南提供了系统功能、设置系统以及技术规格的概览。
- 硬件用户手册提供了有关系统功能的信息、并说明了如何排除系统故障以及安装或更换系统组件。
- 系统附带的 CD 提供了配置和管理系统时可使用的说明文件和工具。
- 系统管理软件说明文件介绍了软件的功能、要求、安装和基本操作。

- 操作系统说明文件介绍了如何安装（如果有必要）、配置和使用操作系统软件。
- 单独购买的任何组件所附带的说明文件提供了有关配置和安装这些选件的信息。
- 系统有时附带更新、用于说明对系统、软件和 / 或说明文件所作的更改。



**注：**请经常访问 [support.dell.com](http://support.dell.com) 以获得更新、并首先阅读这些更新、因为它们通常用于替代其它说明文件中的信息。

- 可能还会提供版本注释或自述文件以说明对系统、说明文件或针对高级用户或技术人员的高级技术参考资料的最新更新。

## 获得技术帮助

如果您对本指南中的步骤有疑问、或系统运行无法达到预期效果、请参阅硬件用户手册。

Dell 可以提供企业培训与认证；有关详情、请访问 [www.dell.com/training](http://www.dell.com/training)。并非在所有国家和地区均可提供此服务。

## 安装和配置



**警告：**在执行以下过程之前、请阅读并遵循产品信息指南中的安全说明和重要的管制信息。



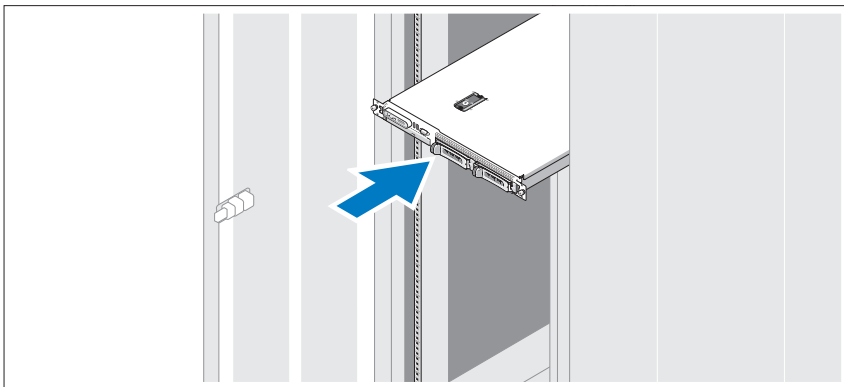
**警告：**需要提起系统时、请让别人帮您。为避免受伤、请勿尝试独自提起系统。

本节介绍初次安装系统时的步骤。

### 打开系统包装

打开系统包装并识别每项物品。妥善保管所有运输包装材料、以备将来使用。

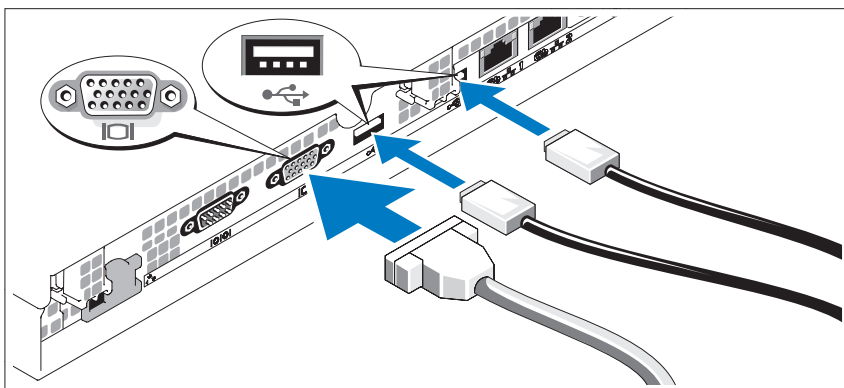
## 在机架中安装滑轨和系统



先仔细阅读系统机架安装说明文件中的“安全说明”、然后在机架中安装系统。

有关在机架中安装系统的说明、请参阅机架安装说明文件。有关电源和冷却原则、请访问 [www.dell.com](http://www.dell.com) 上的机架容量规划工具。

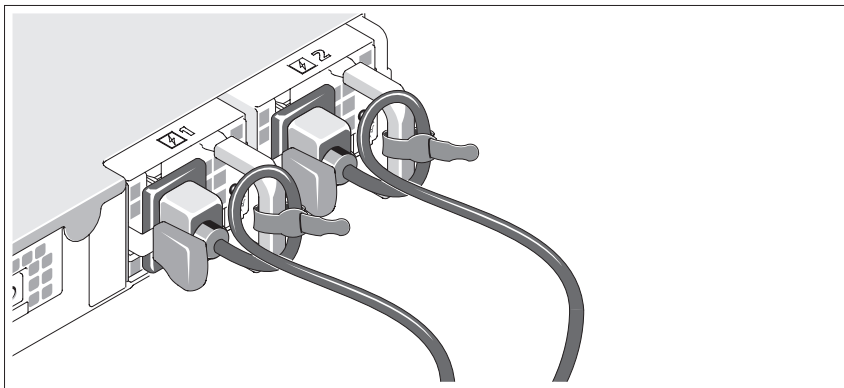
## 连接键盘、鼠标和显示器



连接键盘、鼠标和显示器（可选）。

系统背面的连接器附有图标、这些图标指示了要插入每个连接器的电缆。确保拧紧显示器的电缆连接器上的螺钉（如果有）。

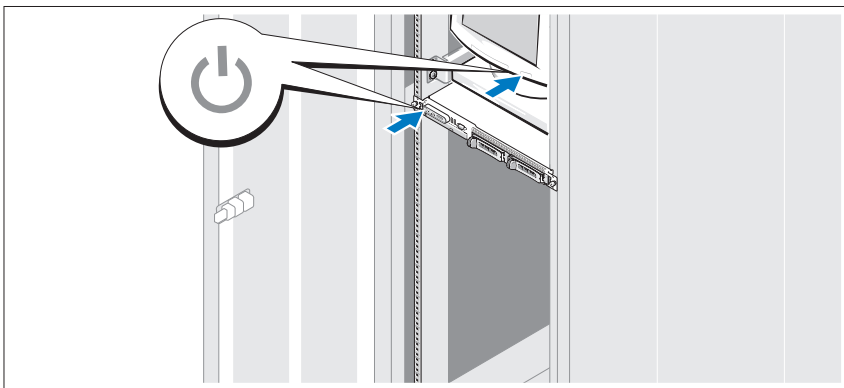
## 连接电源



将系统的电源电缆连接到系统上（示意图中显示一个冗余系统）。对于冗余系统、请使用系统随附的两个 Velcro 紧固带固定电缆、如图所示。对于非冗余系统、使用系统随附的电源线固定支架固定电缆。

将电缆的另一端插入接地的电源插座或单独的电源、如不间断电源设备 (UPS) 或配电装置 (PDU)。

## 开启系统

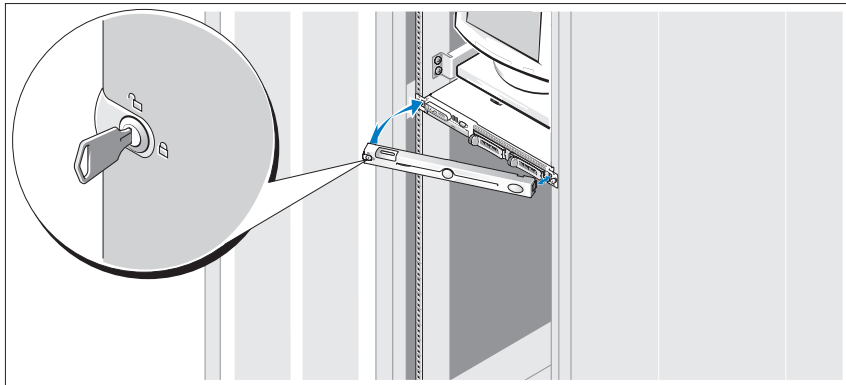


打开系统和显示器（可选）。

按下系统和显示器的电源按钮。电源指示灯将会亮起。调节显示器的控制按钮直至获得满意的显示图像。



## 安装挡板



安装挡板（可选）。

## 完成操作系统安装

如果购买了预安装的操作系統、請參閱隨系統提供的操作系統說明文件。如果是初次安裝操作系統、請參閱快速安裝指南。請確保先安裝操作系統、然後再安裝未預裝的硬件或軟件。

## 技術規格

---

### 處理器

---

處理器類型

單核 Intel® Celeron® 445 處理器

或

雙核 Intel Core™ 2 Duo E6305 或 E6405 序列處理器

或

四核 Intel Xeon® X3323、X3353 或 X3363 串行處理器

---

## 扩充总线

---

总线类型 PCI-X、PCIe

### 扩充槽 - 两个可选提升卡

#### 提升板 1

PCIe 中央提升板 一个全高、半长、x8 信道 PCIe 插槽

PCIe 左提升板 一个全高、半长、x8 信道 PCIe 插槽

#### 提升板 2

PCI-X 左提升板 一个全高、半长、64 位、133MHz PCI-X 插槽

PCIe 中央提升板 一个全高、半长、x8 信道 PCIe 插槽

---

## 内存

---

体系结构 最多六个带寄存器的 DDR2 677 MHz RDRAM 内存模块（具有 ECC）

内存模块插槽 六个 240 针

内存模块容量 512 MB、1 GB、2 GB、4GB

最小 RAM 512 MB（一个 512 MB 模块）

最大 RAM 24 GB

---

## 驱动器

---

### 硬盘驱动器

SATA 最多两个 3.5 英寸、内部（可选热插拨）

SAS 最多两个 3.5 英寸、内部、带可选 SAS 控制器卡（可选热插拨）

CD/DVD 驱动器 一个可选 DVD、或设备驱动器托架中的组合 CD-RW/DVD。

**注：**DVD 设备仅用于数据。

USB 快擦写驱动器 一个可选驱动器、模拟软盘驱动器或硬盘驱动器

---

## 连接器

---

### 外部可抽换

#### 背面

网络适配器	两个 RJ-45（用于集成的 1 吉位网络适配器）
串行	9 针
USB	两个 4 针、USB 2.0 兼容连接器
视频	15 针 VGA 连接器

#### 正面

视频	15 针 VGA 连接器
USB	两个 4 针、USB 2.0 兼容连接器

### 内部可抽换

SATA 通道	三个 7 针
USB 钥匙（存储钥匙）	两个 4 针、USB 2.0 兼容连接器

---

## 视频

---

视频类型	集成 ATI ES1000 VGA 控制器
视频内存	32 MB（最小）- 64 MB（最大）DDR II

---

## 电源

---

### 交流电源设备

功率	400 W 冗余 PSU（用于热插拔硬盘驱动器） 加上冗余 PSU 配置（最大配置）
电压	100 - 240 VAC、50/60 Hz
最大涌入电流	在典型的线路条件下和整个系统运行范围内、 10 ms 或更短时间内的涌入电流可达 25 A
系统电池	CR 2032 3.0V 锂离子电池

---

## 物理规格

---

高度	4.2 cm (1.67 in)
宽度	42.6 cm (16.78 in)
<b>厚度</b>	
包括可选挡板	69.3 cm (27.29 in)
不包括可选挡板	66 cm (26 in)
重量（最大配置、kg）	13.45 kg (29.6 lb)

---

## 环境参数

---

**注：**有关特定系统配置的环境参数规格的其他信息，请参阅 [www.dell.com/environmental\\_datasheets](http://www.dell.com/environmental_datasheets)。

### 温度

运行时	10° 至 35° C (50° 至 95° F)
存储时	-40° 至 65° C (-40° 至 149° F)

### 相对湿度

运行时	20% 至 80%（非冷凝）、最大湿度变化梯度为每小时 10%
存储时	5% 至 95%（非冷凝）

### 最大振动

运行时	在 5 - 350 Hz、0.26 G 时、可持续 15 分钟
存储时	在 10 - 250 Hz、1.54 G 时、可持续 15 分钟

---

## 环境参数 (续)

---

### 最大撞击

运行时	z 轴正方向上可承受一个 31 G 的撞击脉冲 (系统每一面承受一个脉冲)、最多可持续 2.6 ms
存储时	x、y 和 z 轴正负方向上可承受连续六个 71 G 的撞击脉冲 (系统每一面承受一个脉冲)、最多可持续 2 毫秒

### 海拔高度

运行时	-16 至 3,048 m (-50 至 10,000 ft) <b>注:</b> 海拔高度在 2950 英尺以上时、最高操作温度为 1° F/550 ft。
-----	--

存储时	-16 至 10,600 m (-50 至 35,000 ft)
-----	----------------------------------

### 气载污染物级别

分类	G2 或更低 (根据 ISA-S71.04-1985 定义的标准)
----	-----------------------------------



Dell™ PowerEdge™

R300 システム

はじめに



## メモ、注意、警告



**メモ**：コンピュータを使いやすくするための重要な情報を説明しています。



**注意**：ハードウェアの損傷やデータの損失の可能性を示し、その危険を回避するための方法を説明しています。



**警告**：物的損害、けが、または死亡の原因となる可能性があることを示しています。

---

本書の内容は予告なく変更されることがあります。

© 2007 すべての著作権は **Dell Inc.** にあります。

Dell Inc. の書面による許可のない複製は、いかなる形態においても厳重に禁じられています。

本書に使用されている商標：Dell、DELL ロゴ、および PowerEdge は Dell Inc. の商標です。Intel、Pentium、Celeron、および Xeon は米国その他の国における Intel Corporation の登録商標です。Core は米国その他の国における Intel Corporation の商標です。Microsoft、Windows および Windows Server は米国その他の国における Microsoft Corporation の商標または登録商標です。Red Hat および Enterprise Linux は Red Hat, Inc. の登録商標です。SUSE は Novell Inc. の登録商標です。

本書では、必要に応じて上記以外の商標や会社名が使用されている場合がありますが、それらの商標や会社名は、一切 Dell Inc. に帰属するものではありません。

モデル SMT

2007 年 12 月

P/N MM428

Rev. A00



## システムの機能

お使いのシステムの主要なハードウェアとソフトウェアの機能は、次のとおりです。

- 1U/1S ラックへの設置が可能な、スタティックレールとスライドレールに対応したシャーシ。
  - **メモ**：プロセッサの情報を表示するには、セットアップユーティリティを使用します。『ハードウェアオーナーズマニュアル』の「セットアップユーティリティの使い方」を参照してください。
- 次のいずれかのプロセッサ
  - シングルコア Intel® Celeron® 445 プロセッサ
  - デュアルコア Intel Core™2 Duo E6305 または E6405 プロセッサ
  - クアッドコア Intel Xeon® X3323、X3353、または X3363 プロセッサ
- 最小容量 512 MB のシングル/デュアルランク、レジスタ 667 MHz DDR2 ECC メモリモジュール。システム基板上の 6 個のメモリモジュールソケットに 512 MB、1 GB、2 GB、または 4 GB のメモリモジュールを組み合わせて取り付けることにより、最大 24 GB までアップグレードできます。
- 次のいずれかのライザーカードオプション
  - ライザーカード 2 枚（左ライザーとセンターライザー）、それぞれが x8 レーン幅の PCI-Express 拡張スロットを装備。  
または
  - ライザーカード 1 枚（センターライザー）、x8 レーン幅の PCI-Express 拡張スロットを装備。
  - ライザーカード 1 枚（左ライザー）、3.3 V、64 ビット 133 MHz PCI-X 拡張スロットを装備。
- デバイスドライブベイ内に 12.7 mm の DVD、または CD-RW/DVD コンボドライブ 1 台。

- 以下の内蔵ハードドライブ構成をサポートします。
  - オプションの SAS コントローラカードを使用した 3.5 インチの内蔵 SATA ハードドライブ 2 台まで (ホットプラグオプションも使用可能)。
  - オプションの SAS コントローラカードを使用した 3.5 インチの内蔵 SAS (シリアル接続 SCSI) ハードドライブ 2 台まで (ホットプラグオプションも使用可能)。
- リモートシステム管理用のオプションのリモートアクセスコントローラ (システム基板上の専用スロットに装着)。
- オプションの USB フラッシュドライブはディスクドライブまたはハードドライブをエミュレートします。
- 400 W の電源ユニット 1 台 (オプションの冗長電源ユニットも使用可能)。
- Wake-on-LAN 対応で 10 Mbps、100 Mbps、および 1000 Mbps のデータ転送速度をサポートする内蔵ギガビットイーサネットネットワークアダプタ 2 台。
- リモートシステム管理、クラッシュしたシステムのリカバリ、Dell PowerEdge の電源制御機能を提供する Dell Remote Access Controller Card (DRAC5)。
- ATI ES1000、33 MHz PCI ビデオコントローラ搭載の VGA 互換内蔵ビデオサブシステム。このビデオサブシステムには、2D グラフィックスをサポートするグラフィックスメモリが少なくとも 32 MB 装備されています。最大解像度 1600 × 1200 (65,536 色)。True Color グラフィックスは、640 × 480、800 × 600、1024 × 768、1280 × 1024 の解像度でサポートされています。オプションのリモートアクセスカードが取り付けられている場合、最大ビデオ解像度は 1280 × 1024 です。
- ファンモジュール (それぞれがプロセッサとメモリの前にあるデュアルローターファン 2 台で構成されています)。
- ファンモジュール (PSU の前にあるデュアルローターファン 2 台で構成されています)。これらのファンは、2 台の冗長 PSU 用です (ホットプラグ対応ハードドライブと冗長 PSU の構成)。
- コンソールリダイレクション対応のシリアルコネクタ。
- シャーシイントルージョン検出とオプションベゼルのキーロックによるセキュリティ機能。

- キーの生成と保存、パスワードとデジタル証明書 of 保存ができる、セキュリティアプリケーション用の内蔵 **Trusted Platform Module (TPM)** (信頼済みプラットフォームモジュール) バージョン 1.2。(中国では利用できません)。
- システムの重大な電圧および温度の変化を監視するシステム管理ソフトウェア / 回路。
- 背面パネルには、ビデオ (1 個)、シリアル (1 個)、USB (2 個)、ネットワークアダプタ (2 個) の各コネクタを装備。
- 前面パネルには、1 個の VGA コネクタと 2 個の USB コネクタを装備。
- 起動可能なメモリーキー用に内部 USB コネクタ 1 個を装備。
- システム ID およびエラーメッセージを表示する前面パネル 1x5 LCD。

それぞれの機能の詳細については、38 ページの「仕様」を参照してください。

お使いのシステムには、次のソフトウェアが付属しています。

- システム設定情報の表示と変更ができるセットアップユーティリティ。詳細については、『ハードウェアオーナーズマニュアル』の「セットアップユーティリティの使い方」を参照してください。
- セットアップユーティリティから利用可能な、システムパスワードおよびセットアップパスワードを含む強化されたセキュリティ機能。
- プログラムを高解像度モードで表示するビデオドライバ。

システム管理ソフトウェアおよびマニュアル CD。

## サポートされている OS

- Microsoft® Windows Server® 2008 Web / Standard / Enterprise (32 ビット x86) Edition (利用可能時)
- Microsoft Windows Server 2008 Web/Standard/Small Business Server (Premium/Standard) / Enterprise (x64) Edition (利用可能時)
- Microsoft Windows Server 2003 Web/Standard/Small Business Server (Premium/Standard) / Enterprise (32 ビット x86) Edition (SP1/SP2)
- Microsoft Windows Server 2003 Standard/Enterprise (x64) Edition

- Microsoft Windows Server 2003 R2 Standard / Small Business Server (Premium / Standard) /Enterprise (32 ビット x86) Edition
- Microsoft Windows Server 2003 R2 Standard/Enterprise (x64) Edition
- Red Hat® Enterprise Linux® ES (バージョン 4 および 5) (x86\_32)
- Red Hat Enterprise Linux ES (バージョン 4 および 5) (x86\_64)
- SUSE® Linux Enterprise Server 9 (SP4 以降) (x86\_64)
- SUSE Linux Enterprise Server 10 (x86\_64)



**メモ**：サポートされている OS の最新情報については、[www.dell.com](http://www.dell.com) を参照してください。

## その他の情報



**警告**：『製品情報ガイド』には、安全および認可機関に関する情報が記載されています。保証情報に関しては、『サービス & サポートのご案内』を参照してください。

- システムをラックに取り付ける方法については、ラックに付属の『ラック取り付けガイド』に説明があります。
- 『はじめに』では、システムの機能、システムのセットアップ、および技術仕様の概要を説明しています。
- 『ハードウェアオーナーズマニュアル』では、システムの機能、トラブルシューティング方法、およびコンポーネントの取り付けや交換の方法について説明しています。
- システムに付属の CD には、システムの設定と管理に使用するマニュアルやツールが収録されています。
- システム管理ソフトウェアのマニュアルでは、システム管理ソフトウェアの機能、動作要件、インストール、および基本操作について説明しています。
- OS のマニュアルでは、OS ソフトウェアのインストール手順（必要な場合）や設定方法、および使い方について説明しています。
- システムとは別に購入されたコンポーネントのマニュアルでは、購入されたオプション装置の取り付けや設定について説明しています。


- システム、ソフトウェア、またはマニュアルの変更に関して記載されたアップデート情報がシステムに付属していることがあります。
  - ✎ **メモ**：アップデートには他の文書の内容を差し替える情報が含まれている場合がよくありますので、[support.dell.com](https://support.dell.com) でアップデートがないかどうかを常に確認し、初めにお読みください。
- リリースノートまたは readme ファイルには、システムまたはマニュアルの最新のアップデート情報や、専門知識をお持ちのユーザーや技術者のための高度な技術情報が記載されています。


## テクニカルサポートの利用法

このガイドの手順が理解できない場合やシステムが思ったとおりに動作しない場合は、『ハードウェアオーナーズマニュアル』を参照してください。

デルでは、企業向けのトレーニングと資格認証を実施しています。詳細については、[www.dell.com/training](https://www.dell.com/training) を参照してください。このサービスは、ご利用いただけない地域があります。

## 取り付けと設定

 **警告**：次の手順を実行する前に、『製品情報ガイド』の安全にお使いいただくための注意と認可機関に関する情報をよく読み、指示に従ってください。

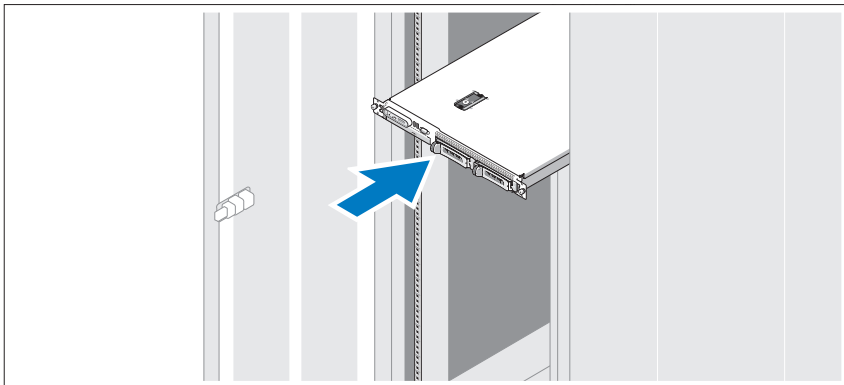
 **警告**：システムを持ち上げる必要がある場合は、必ずだれかの手を借りてください。けがを防ぐために、決してシステムを一人で持ち上げようとしないでください。

本項では、システムを初めてセットアップする際の手順について説明します。

### システムの開梱

システムを箱から取り出し、同梱品がすべて揃っていることを確認します。後で必要になる場合があるので、梱包材と箱は保管しておいてください。

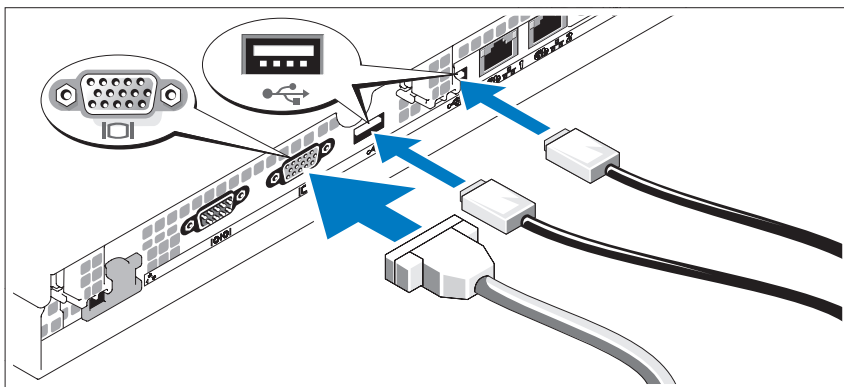
## ラックへのレールとシステムの取り付け



お使いのシステムのラック取り付けガイドに記載されている「安全にお使いいただくための注意」を読まれたら、ラックにシステムを取り付けます。

システムをラックに取り付ける手順については、ラック取り付けガイドを参照してください。電源および冷却関係のガイドラインについては、[www.dell.com](http://www.dell.com) でラックの容量プランナツールを参照してください。

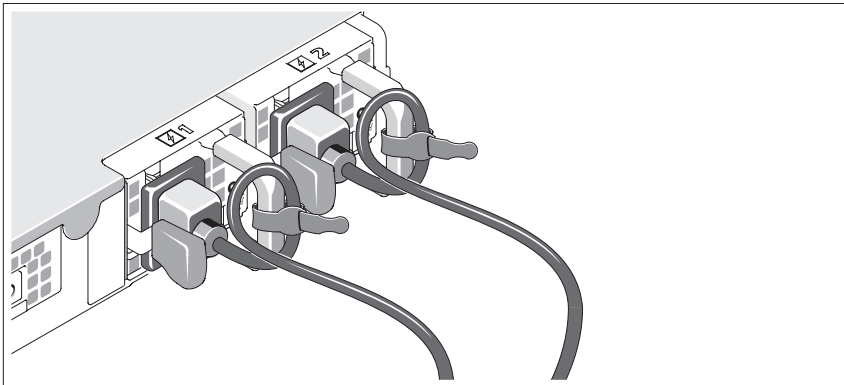
## キーボード、マウス、モニターの接続



キーボード、マウス、モニター（オプション）を接続します。

システム背面のコネクタには、どのケーブルを各コネクタに接続するかを示すアイコンがあります。モニターのケーブルコネクタにネジがある場合は、必ず締めてください。

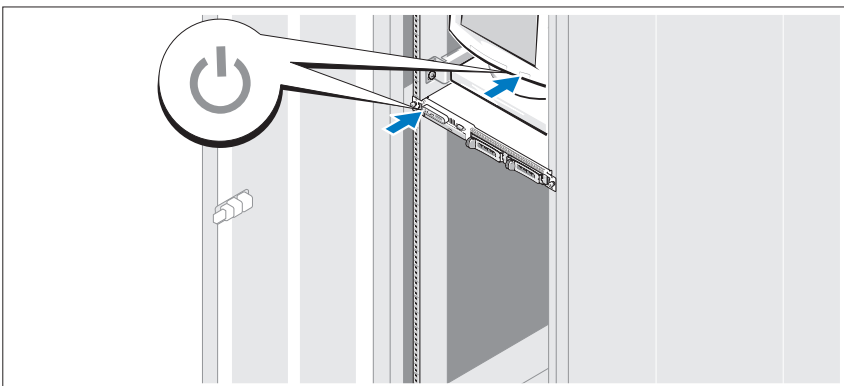
## 電源の接続



システムに電源コードを接続します（図は冗長システム）。冗長システムの場合は、システムに付属の2本のベルクロストラップを使用して、ケーブルを固定します（図を参照）。非冗長システムの場合は、システムに付属の電源ケーブル固定ブラケットを取り付けます。

電源コードのもう一方の端をアースされた電源コンセントまたはUPS（無停電電源装置）や配電装置（PDU）などの電源に接続します。

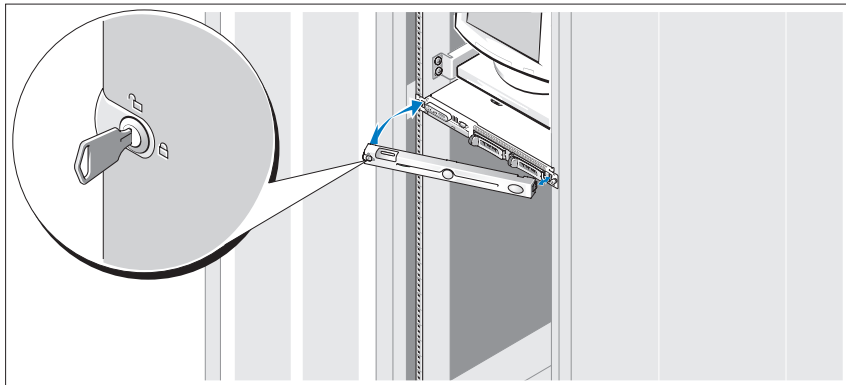
## システムの電源投入



システムとモニター（オプション）の電源を入れます。

システムとモニターの電源ボタンを押します。電源インジケータが点灯します。表示されたイメージが最適の状態になるまで、モニターのコントロールを調節します。

## ベゼルの取り付け



ベゼルの取り付け（オプション）。

## OS のセットアップの完了

システムに OS がプリインストールされている場合は、システムと同梱の OS のマニュアルを参照してください。OS を初めてインストールする場合は、『クイックインストールガイド』を参照してください。システムとは別途に購入したハードウェアやソフトウェアのインストールは、OS がインストール済みであることを確認してから行ってください。

## 仕様

---

### プロセッサ

プロセッサの種類

シングルコア Intel® Celeron® 445 プロセッサ

または

デュアルコア Intel Core™2 Duo E6305 または E6405 シリーズプロセッサ

または

クアッドコア Intel Xeon® X3323、X3353、または X3363 シリアルプロセッサ



---

## 拡張バス

---

バスの種類 PCI-X、PCIe

### 拡張スロット — オプションのライザーカード 2 枚

#### ライザー 1

PCIe センターライザー フルハイト、ハーフレングス、x8 レーン PCIe スロット 1 個

PCIe 左ライザー フルハイト、ハーフレングス、x8 レーン PCIe スロット 1 個

#### ライザー 2

PCI-X 左ライザー フルハイト、ハーフレングス、64 ビット、133MHz PCI-X スロット 1 個

PCIe センターライザー フルハイト、ハーフレングス、x8 レーン PCIe スロット 1 個

---

## メモリ

---

アーキテクチャ レジスタ DDR2 677 MHz RDRAM ECC メモリモジュール 6 枚まで

メモリモジュールソケット 240 ピンソケット 6 個

メモリモジュールの容量 512 MB、1 GB、2 GB、4GB

最小 RAM 512 MB (512 MB モジュール 1 枚)

最大 RAM 24 GB

---

## ドライブ

---

### ハードドライブ

SATA	3.5 インチ内蔵ドライブ 2 台まで（ホットプラグ対応も選択可）
SAS	3.5 インチ内蔵ドライブ 2 台まで（オプションの SAS コントローラカードを使用。ホットプラグ対応も選択可）
CD/DVD ドライブ	デバイスドライブベイ内にオプションの DVD、または CD-RW/DVD コンボドライブ 1 台 <b>メモ：</b> DVD デバイスはデータ専用。
USB フラッシュドライブ	ディスクドライブまたはハードドライブをエミュレートできるオプションのドライブ 1 台

---

## コネクタ

---

### 外部アクセス用

#### 背面

ネットワークアダプタ	RJ-45（1 ギガビットの内蔵ネットワークアダプタ用）2 個
シリアル	9 ピン
USB	4 ピン USB 2.0 対応 2 個
ビデオ	15 ピン VGA

#### 前面

ビデオ	15 ピン VGA
USB	4 ピン USB 2.0 対応 2 個

### 内部アクセス可能

SATA チャンネル	7 ピンコネクタ 3 個
USB キー（メモリーキー用）	4 ピン USB 2.0 対応コネクタ 1 個

---

## ビデオ

---

ビデオの種類	内蔵 ATI ES1000 VGA コントローラ
ビデオメモリ	32 MB（最小）～ 64 MB（最大）DDR II

---

## 電源

---

### AC 電源ユニット

ワット数	400 W の冗長 PSU（ホットプラグ対応ハードドライブ用）+ 冗長 PSU の構成（最大構成）
電圧	AC 100 ～ 240 V、50/60 Hz
最大流入電流	通常のラインコンディションのもと、システムの動作環境全範囲で、入電量は 10 ms 以下で 25 A に達することがあります
システムバッテリー	3.0 V コイン型リチウム電池 CR 2032

---

### サイズと重量

---

縦幅	4.2 cm
横幅	42.6 cm

### 奥行

オプションのベゼルを含む	69.3 cm
オプションのベゼルを含まない	66 cm
重量（最大構成）	13.45 kg

---

## 環境

---

**メモ**：特定のシステム構成でのその他の環境条件の詳細については、[www.dell.com/environmental\\_datasheets](http://www.dell.com/environmental_datasheets) を参照してください。

### 温度

動作時	10 ~ 35 °C
保管時	-40 ~ 65 °C

### 相対湿度

動作時	1 時間当たり最大 10 パーセントの湿度変化で 20 ~ 80 パーセント（結露しないこと）
保管時	5 ~ 95 パーセント（結露しないこと）

### 最大耐久震度

動作時	15 分間にわたり 5 ~ 350 Hz で 0.26 Grms
保管時	15 分間にわたり 10 ~ 250 Hz で 1.54 Grms

### 最大耐久衝撃

動作時	z 軸の正方向に 2.6 ミリ秒以下で 31 G の 1 衝撃パルス（システムの各面に対して 1 パルス）
保管時	x、y、z 軸の正および負方向に 6 連続衝撃パルス（システムの各面に対して 1 パルス）、2 ミリ秒以下で 71 G

### 高度

動作時	-16 ~ 3,048 m <b>メモ</b> ：高度が 900 m を超えると、動作時の許容最大温度は、168 m ごとに 1° F ずつ低下します。
保管時	-16 ~ 10,600 m

### 空気汚染物質レベル

クラス	G2 またはそれ未満（ISA-S71.04-1985 の定義による）
-----	------------------------------------

Dell™ PowerEdge™

R300 시스템

시스템 시작하기



# 주, 주의사항 및 주의



**주:** 주는 컴퓨터의 활용도를 높이는 데 도움이 되는 중요한 정보입니다.



**주의사항:** "주의사항"은 하드웨어의 손상 또는 데이터 유실 위험을 설명하며, 이러한 문제를 방지할 수 있는 방법을 알려줍니다.



**주의:** 주의는 위험한 상황, 심각한 부상 또는 사망할 우려가 있음을 알려줍니다.

---

이 문서의 정보는 사전 통보없이 변경될 수 있습니다.

© 2007 Dell Inc. 저작권 본사 소유.

Dell Inc.의 서면 승인 없이 어떠한 경우에도 무단 복제하는 것을 엄격히 금합니다.

본 설명서에 사용된 상표인 *Dell*, *DELL* 로고 및 *PowerEdge*는 Dell Inc.의 상표이며, *Intel*, *Pentium*, *Celeron* 및 *Xeon*은 미국 및 기타 국가에서 Intel Corporation의 등록 상표입니다. *Core*는 Intel Corporation의 상표입니다. *Microsoft*, *Windows* 및 *Windows Server*는 미국 및/또는 기타 국가에서 Microsoft Corporation의 상표 또는 등록 상표이며, *Red Hat* 및 *Enterprise Linux*는 Red Hat Inc.의 등록 상표입니다. *SUSE*는 Novell Inc.의 등록 상표입니다.

본 설명서에서 특정 회사의 표시나 제품 이름을 지칭하기 위해 기타 상표나 상호를 사용할 수도 있습니다. Dell Inc.는 자사가 소유하고 있는 것 이외에 기타 모든 등록 상표 및 상표명에 대한 어떠한 소유권도 없습니다.

모델 SMT

2007년 12월

P/N MM428

Rev. A00

# 시스템 특징

본 시스템의 주요 하드웨어 및 소프트웨어 특징:

- 고정 및 슬라이딩 레일을 지원하는 IU/IS 랙 장착 가능 새시.
  - **주:** 프로세서 정보를 보려면 시스템 설치 프로그램을 사용하십시오.  
*하드웨어 소유자 설명서의 "시스템 설치 프로그램 사용"을 참조하십시오.*
- 다음 중 하나의 프로세서:
  - 싱글 코어 Intel® Celeron® 445 프로세서
  - 듀얼 코어 Intel Core™2 Duo E6305 또는 E6405 프로세서
  - 쿼드 코어 Intel Xeon® X3323, X3353 또는 X3363 프로세서
- 시스템 보드의 모듈 소켓 6개에 512 MB, 1 GB, 2 GB 또는 4GB의 메모리 모듈 조합을 설치하여 최대 24 GB까지 업그레이드 가능한 최소 512 MB의 단일 또는 이중 등급으로 등록된 667-MHz DDR2 메모리 모듈 ECC.
- 다음 라이저 카드 옵션 중 하나:
  - 라이저 카드 2 개 ( 왼쪽 중앙 라이저 ). 각 카드는 8x 레인 폭 PCI-Express 확장 슬롯 제공 .  
또는
  - 라이저 카드 1 개 ( 중앙 라이저 ). x8 레인 폭 PCI-Express 확장 슬롯 제공 .
  - 라이저 카드 1 개 ( 왼쪽 라이저 ). 3.3 V, 64 비트 133MHz PCI-X 확장 슬롯 제공 .
- 장치 드라이브 베이의 12.7 mm DVD 또는 CD-RW/DVD 콤보 1개.
- 다음 내부 하드 드라이브 구성 지원:
  - 최대 2 개의 SAS 컨트롤러 카드 ( 단축 연결 옵션 사용 불가 ) 옵션이 장착된 3.5 인치 , 내장형 , SATA 하드 드라이브 .
  - 최대 2 개의 SCSI 컨트롤러 카드 ( 단축 연결 옵션 사용 불가 ) 옵션이 장착된 3.5 인치 , 내장형 , SAS(Serial-Attached SCSI) 하드 드라이브 .
- 시스템 보드의 전용 슬롯에 설치되어 있는 원격 시스템 관리용 원격 액세스 컨트롤러 옵션.
- 디스켓 드라이브 또는 하드 드라이브를 에뮬레이트하는 USB 플래쉬 드라이브 옵션.

- 400-W 전원 공급 장치 1개(중복 전원 공급 장치 옵션 사용 가능).
- 10Mbps, 100Mbps 또는 1000Mbps 데이터 전송률을 지원하고 Wake-on-LAN을 지원하는 내장형 Gigabit Ethernet 네트워크 어댑터 2개.
- Dell PowerEdge용 원격 시스템 관리, 충돌 시스템 복구 및 전원 제어 기능을 제공하는 DRAC5(Dell Remote Access Controller Card).
- ATI ES1000, 33MHz PCI 비디오 컨트롤러가 장착된 내장형 VGA 호환 비디오 서브시스템. 이 비디오 서브시스템에는 2D 그래픽을 지원하는 최소 32MB 그래픽 메모리가 포함되어 있습니다. 최대 해상도는 1600 x 1200(65,536색)이며 640 x 480, 800 x 600, 1024 x 768 및 1280 x 1024 해상도에서 트루 컬러 그래픽이 지원됩니다. 원격 액세스 카드 옵션이 설치되어 있으면 최대 비디오 해상도는 1280 x 1024입니다.
- 팬 모듈. 각 팬 모듈은 프로세서 및 메모리 전면에 위치한 2개의 듀얼 로터 팬으로 구성.
- 팬 모듈. PSU 전면에 위치한 2개의 듀얼 로터 팬으로 구성. 이 팬은 2개의 중복 PSU(단축 연결 하드 드라이브 및 중복 PSU 구성)에 사용됩니다.
- 콘솔 재지정 기능을 지원하는 직렬 커넥터.
- 선택 사양 베젤의 새시 방해 감지 및 자물쇠를 포함한 보안 기능.
- 보안 응용프로그램에 사용되며 키 생성 및 저장, 암호 및 디지털 인증서 저장이 가능한 내장형 TPM(Trusted Platform Module) version 1.2 (중국에서는 사용 불가).
- 과도한 시스템 전압 및 온도를 감시하는 시스템 관리 소프트웨어/회로.
- 후면 패널 커넥터에는 비디오 커넥터, 직렬 커넥터, 2개의 USB 커넥터 및 2개의 네트워크 어댑터 커넥터가 포함됩니다.
- 전면 패널 커넥터에는 VGA 커넥터 1개 및 USB 커넥터 2개가 포함됩니다.
- 부팅 가능한 메모리 키에는 내장형 USB 커넥터 1개가 포함됩니다.
- 시스템 ID 및 오류 메시지가 표시되는 전면 패널 1x5 LCD.

특정 기능에 관한 자세한 내용은 "52페이지의 기술 사양"을 참조하십시오.



시스템에는 다음과 같은 소프트웨어가 설치되어 있습니다.

- 시스템 구성 정보를 보여주고 변경할 수 있는 System Setup 프로그램. 자세한 내용은 *하드웨어 소유자 설명서*에서 "System Setup 프로그램 사용"을 참조하십시오.
- System Setup 프로그램을 통해 시스템 암호, 설치 암호가 포함된 고급 보안 기능.
- 고해상도 모드에서 프로그램을 화면에 표시하기 위한 비디오 드라이버.

시스템 관리 소프트웨어 및 설명서 CD.


## 지원되는 운영 체제

- Microsoft® Windows Server® 2008 Web, Standard 및 Enterprise (32-bit x86) Editions(*사용 가능한 경우*)
- Microsoft Windows Server 2008 Web, Standard, Small Business Server (Premium 및 Standard) 및 Enterprise (x64) Editions(*사용 가능한 경우*)
- Microsoft Windows Server 2003 Web, Standard, Small Business Server (Premium 및 Standard) 및 Enterprise (32-bit x86) Editions(SP1 및 SP2)
- Microsoft Windows Server 2003 Standard 및 Enterprise (x64) Editions
- Microsoft Windows Server 2003 R2 Standard, Small Business Server (Premium 및 Standard) 및 Enterprise (32-bit x86) Editions
- Microsoft Windows Server 2003 R2 Standard 및 Enterprise (x64) Edition
- Red Hat® Enterprise Linux® ES (versions 4 및 5) (x86\_32)
- Red Hat Enterprise Linux ES (versions 4 및 5) (x86\_64)
- SUSE® Linux Enterprise Server 9 (SP4 이상) (x86\_64)
- SUSE Linux Enterprise Server 10 (x86\_64)



**주:** 지원되는 운영 체제에 대한 자세한 내용은 [www.dell.com](http://www.dell.com)을 참조하십시오.

## 기타 필요한 정보

 주의: 제품 정보 안내는 중요한 안전 지침 및 규제 관련 정보를 제공합니다. 보증 정보는 본 설명서에 포함되어 있거나 별도의 문서로 제공됩니다.

- 랙 솔루션과 함께 제공되는 *랙 설치 안내서* 또는 *랙 설치 안내 지침*에는 시스템을 랙에 설치하는 방법이 기술되어 있습니다.
- *시작 안내서*에는 시스템 기능, 설치 및 기술 사양에 대한 개요가 기술되어 있습니다.
- *하드웨어 소유자 설명서*에서는 시스템 기능에 대한 정보를 제공하고 시스템 문제 해결 방법 및 시스템 구성부품 설치 또는 교체 방법을 설명합니다.
- 시스템에 포함된 CD에는 시스템 구성 및 관리에 대한 설명서 및 도구가 들어있습니다.
- 시스템 관리 소프트웨어 설명서는 소프트웨어 기능, 요구 사항, 설치 및 기본 작업을 설명합니다.
- 운영 체제 설명서에는 운영 체제 소프트웨어 설치(필요한 경우), 구성 및 사용 방법이 기술되어 있습니다.
- 별도로 구입한 구성부품의 설명서에는 옵션을 구성하고 설치하는 내용이 기술되어 있습니다.
- 시스템, 소프트웨어 또는 설명서의 변경 사항이 포함된 업데이트가 시스템과 함께 제공되기도 합니다.



**주:** [support.dell.com](http://support.dell.com)에서 새로운 갱신본이 없는지 항상 확인하십시오. 갱신본에는 최신 정보가 수록되어 있으므로 다른 설명서를 읽기 전에 반드시 먼저 참조하시기 바랍니다.

- 발행 정보나 readme 파일에는 시스템에 대한 최신 업데이트 사항이나 전문가 또는 기술자를 위한 고급 기술 참조 자료가 포함되어 있을 수 있습니다.

## 기술 지원 얻기

본 설명서의 절차가 이해되지 않거나 시스템이 제대로 작동하지 않을 경우에는 *하드웨어 소유자 설명서*를 참조하십시오.

이제 Dell Enterprise Training and Certification을 사용할 수 있습니다. 자세한 내용은 [www.dell.com/training](http://www.dell.com/training)을 참조하십시오. 지역에 따라 이 서비스가 제공되지 않을 수도 있습니다.

## 설치 및 구성

**!** 주의: 아래에 설명된 절차를 수행하기 전에 제품 정보 안내의 안전 지침 및 중요한 규제 관련 정보를 읽고 준수하십시오.

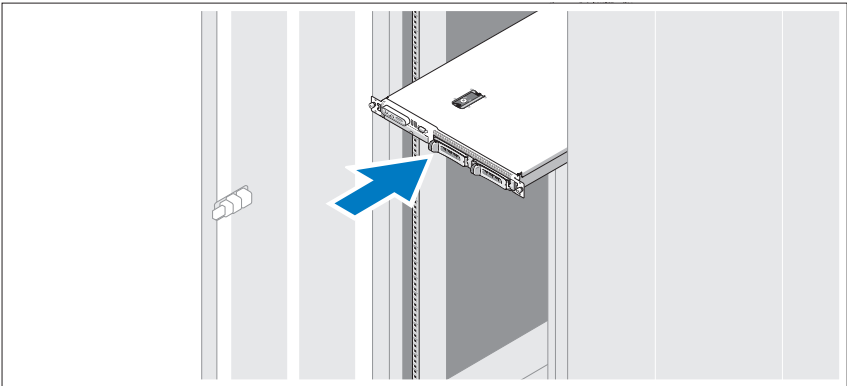
**!** 주의: 시스템을 들어야 하는 경우에는 도움을 청하십시오. 부상을 입는 것을 방지하려면 시스템을 혼자서 들지 마십시오.

이 절에서는 처음 시스템을 설정하는 절차를 설명합니다.

### 시스템 포장 풀기

시스템 포장을 제거하고 각 항목을 확인합니다. 모든 운송 포장재는 나중에 필요할 수 있으므로 보관하십시오.

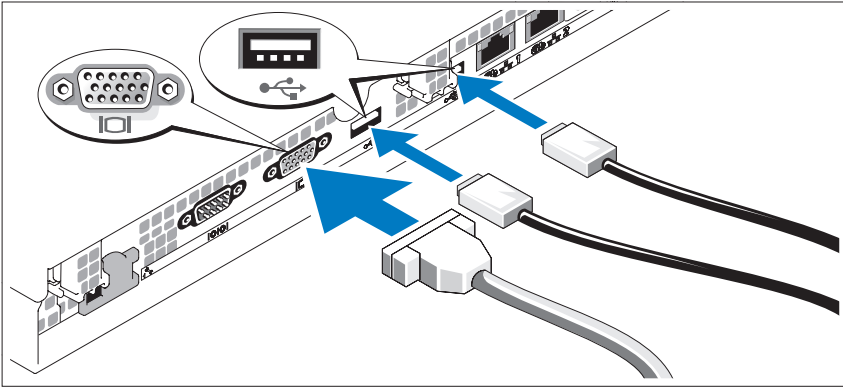
### 랙에 레일과 시스템 설치



시스템의 랙 설치 안내서에 나와 있는 "안전 지침"을 읽은 후에 시스템을 랙에 설치합니다.

랙에 시스템을 설치하는 자세한 지침은 랙 설치 안내서를 참조하십시오. 전원 및 냉각 지침은 [www.dell.com](http://www.dell.com)의 랙 용량 계획 도구를 참조하십시오.

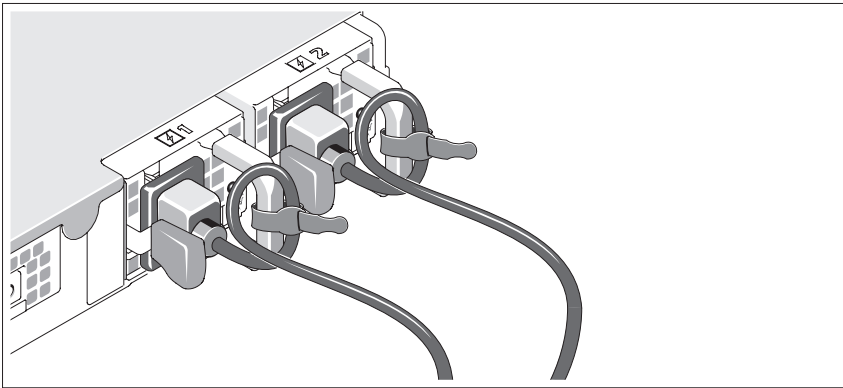
## 키보드, 마우스 및 모니터 연결



키보드, 마우스 및 모니터(옵션)를 연결합니다.

시스템 후면에 있는 커넥터에는 각 커넥터에 연결될 케이블이 표시된 아이콘이 있습니다. 모니터의 케이블 커넥터에 있는 나사(해당하는 경우)를 단단히 고정하십시오.

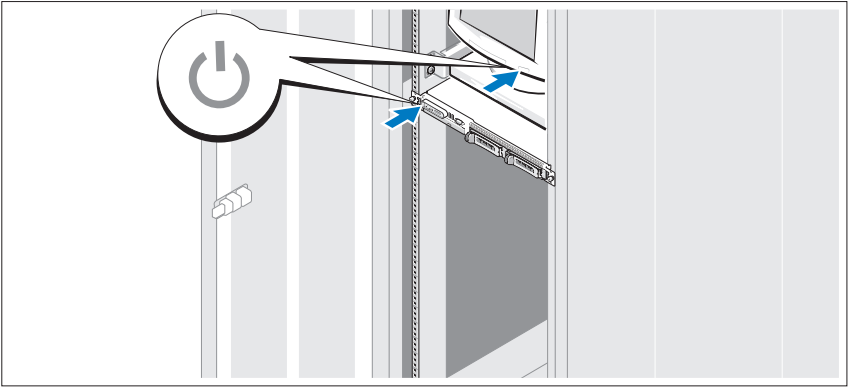
## 전원 연결



시스템의 전원 케이블을 시스템에 연결하십시오(중복되는 시스템이 그림에 표시됨). 중복되는 시스템의 경우 시스템과 함께 제공되는 2개의 벨크로 테이프로 케이블을 고정시키십시오. 중복되지 않는 시스템의 경우 시스템과 함께 제공되는 전원 코드 고정 브래킷을 장착하십시오.

케이블의 반대쪽 끝을 접지된 전원이나 UPS(Uninterruptible Power Supply) 또는 PDU(Power Distribution Unit)와 같은 별도의 전원에 연결합니다.

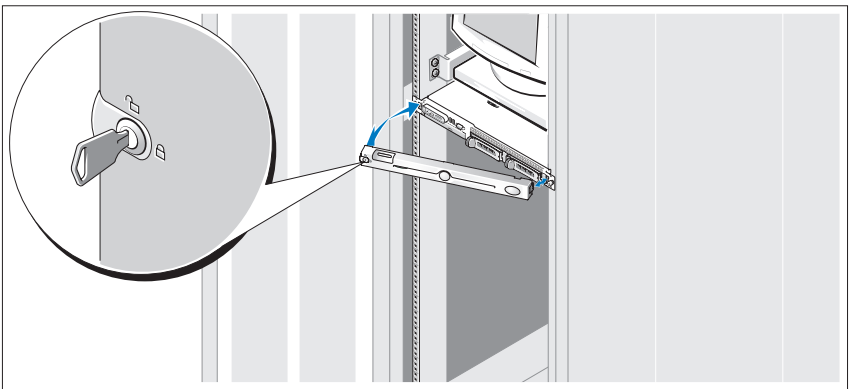
## 시스템 켜기



시스템과 모니터(옵션)의 전원을 켭니다.

시스템 및 모니터의 전원 단추를 누릅니다. 그러면 전원 표시등이 켜집니다. 화면 상태가 만족스러울 때까지 모니터의 컨트롤을 조정합니다.

## 베젤을 설치하십시오



베젤(옵션)을 설치합니다.

## 운영 체제 설치 완료

시스템 구입시 운영 체제가 미리 설치되어 있는 경우에는 시스템과 함께 제공되는 운영 체제 설명서를 참조하십시오. 운영 체제를 처음으로 설치하려면 **빠른 설치 안내서**를 참조하십시오. 시스템과 함께 구입하지 않은 하드웨어 또는 소프트웨어를 설치하기 전에 운영 체제가 설치되어 있는지 확인하십시오.

## 기술 사양

---

### 프로세서

---

프로세서 유형	싱글 코어 Intel® Celeron® 445 프로세서 또는 듀얼 코어 Intel Core™2 Duo E6305 또는 E6405 sequence 프로세서 또는 쿼드 코어 Intel Xeon® X3323, X3353, 계열 X3363 일련 프로세서
---------	---

---

### 확장 버스

---

버스 유형	PCI-X, PCIe
-------	-------------

#### 확장 슬롯 - 라이저 카드 옵션 2 개

##### 라이저 1

PCIe 중앙 라이저                      전체 높이, 절반 길이, x8 레인 PCIe 슬롯 1 개

PCIe 왼쪽 라이저                      전체 높이, 절반 길이, x8 레인 PCIe 슬롯 1 개

##### 라이저 2

PCI-X 왼쪽 라이저                      전체 높이, 절반 길이,  
64 비트, 133MHz PCI-X 슬롯 1 개

PCIe 중앙 라이저                      전체 높이, 절반 길이, x8 레인 PCIe 슬롯 1 개

---

## 메모리

---

아키텍처	최대 6 개의 ECC 가 내장된 등록 DDR2 677 MHz RDRAM 메모리 모듈
메모리 모듈 소켓	240 핀 6 개
메모리 모듈 용량	512 MB, 1 GB, 2 GB, 4GB
최소 RAM	512 MB(512 MB 모듈 1 개)
최대 RAM	24 GB

---

## 드라이브

---

### 하드 드라이브

SATA	최대 2 개의 3.5 인치 내장형 ( 단축 연결 옵션 )
SAS	최대 2 개의 3.5 인치 , SAS 컨트롤러 카드가 장 착된 내장형 ( 단축 연결 옵션 )
CD/DVD 드라이브	장치 드라이브 베이의 DVD 또는 CD-RW/DVD 콤보 옵션 1 개 <b>주:</b> DVD 장치는 데이터 전용입니다.
USB 플래쉬 드라이브	디스켓 드라이브 또는 하드 드라이브를 에뮬레 이트하는 1 개의 드라이브 옵션

---

## 커넥터

---

### 외부 접근 가능

#### 후면

네트워크 어댑터	RJ-45 2 개 ( 내장된 1 기가비트 네트워크 어댑터의 경우 )
직렬	9 핀
USB	4 핀 USB 2.0 호환 2 개
비디오	15 핀 VGA

#### 전면

비디오	15 핀 VGA
USB	4 핀 USB 2.0 호환 2 개

---

## 커넥터 (계속)

---

### 내부 접근 가능

SATA 채널	7 핀 3 개
USB 키 ( 메모리 키 )	4 핀 1 개 , USB 2.0 호환

---

## 비디오

---

비디오 유형	내장형 ATI ES1000 VGA 컨트롤러
비디오 메모리	32 MB( 최소 )-64 MB( 최대 ) DDR II

---

## 전원

---

### AC 전원 공급 장치

와트	단축 연결 하드 드라이브용 400 W 중복 PSU 및 중복 PSU 구성 ( 최대 구성 )
전압	100-240 VAC, 50/60 Hz
최대 유입 전류	일반적인 라인 상태 및 전체 시스템의 작동 범위에서는 유입 전류가 전원 공급 장치 당 10ms 미만인 동안 25A 에 달합니다
시스템 전지	CR2032 3.0V 리튬 코인 셀

---

## 규격

---

높이	4.2cm(1.67 인치 )
너비	42.6cm(16.78 인치 )
깊이	
베젤 옵션 포함	69.3cm(27.29 인치 )
베젤 옵션 미포함	66cm(26 인치 )
무게 ( 최대 구성 Kg)	13.45kg(29.6lb)



---

## 환경

---

**주:** 특정 시스템 구성을 위한 환경 측정에 대한 추가 정보는 [www.dell.com/environmental\\_datasheets](http://www.dell.com/environmental_datasheets)를 참조하십시오.

### 온도

작동	10° ~ 35° C(50° ~ 95° F)
보관	-40° ~ 65° C(-40° ~ 149° F)

### 상대 습도

작동	20% ~ 80%( 비응축), 시간당 10% 의 최고 습도 변화시
보관	5% ~ 95%( 비응축)

### 최대 진동

작동	5 ~ 350Hz 에서 15 분 동안 0.26 Grms
보관	10 ~ 250Hz 에서 15 분 동안 1.54 Grms

### 최대 충격

작동	최대 2.6ms 동안 (+) z 축으로 31G 의 충격 펄스 1 번 ( 시스템 각 면에 1 번의 펄스)
보관	최대 2ms 동안 (+/-) x, y, z 축으로 71G 의 연속 충격 펄스 ( 시스템 각 면에 1 회의 펄스) 6 회

### 고도

작동	-16 ~ 3048 m(-50 ~ 10,000 ft) <b>주:</b> 2950피트 이상의 고도의 경우 작동 온도는 1° F/550 ft로 감쇄됩니다 .
보관	-16 ~ 10,600 m(-50 ~ 35,000 ft)

### 공기 중 오염 물질 수준

등급	ISA-S71.04-1985 에서 정의한 G2 이하
----	------------------------------

